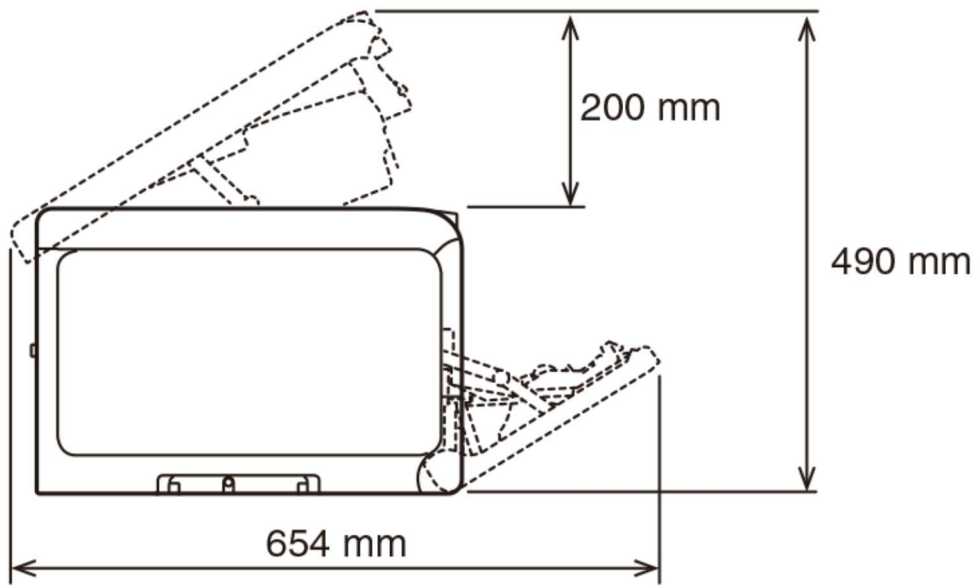
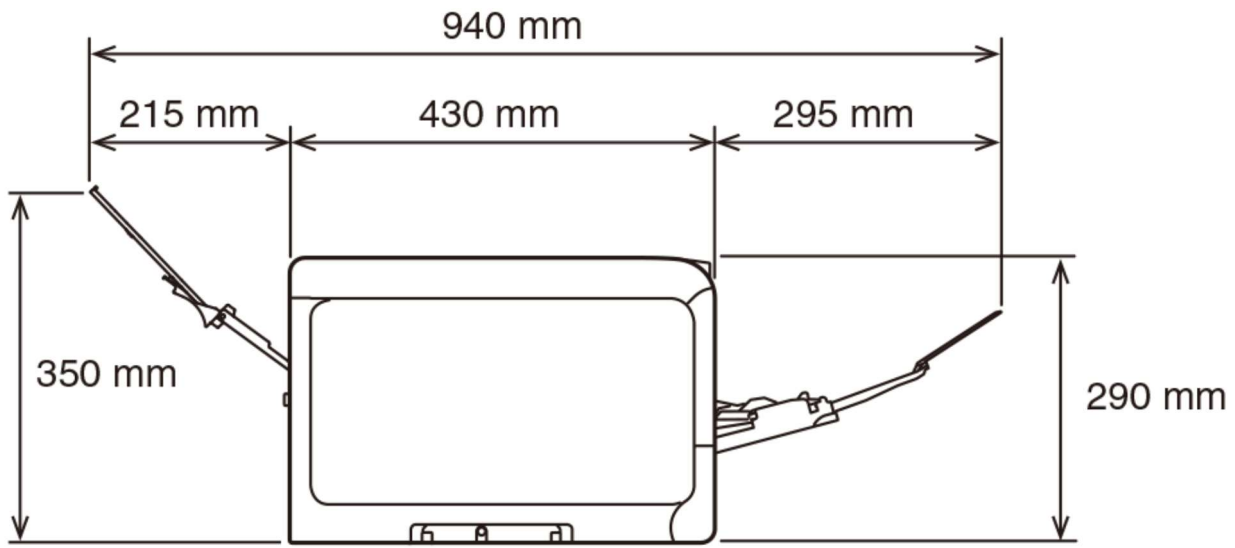


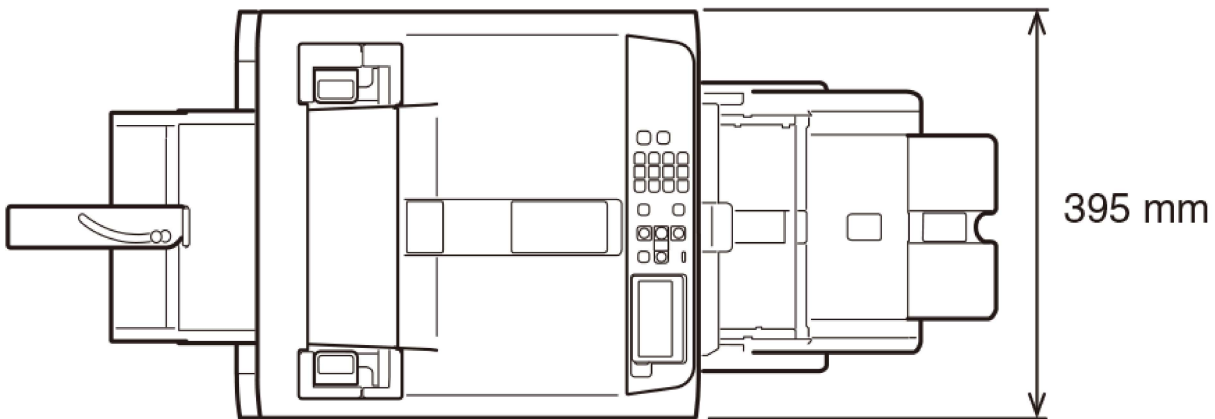
| [Space required](#) |

Printing Method	Digital LED Electrophotographic Printing Method
Printing Resolution	600 x 600 dpi 1200 x 1200 dpi Physical dot pitch: 1200 dpi
Warm-up Time	Approx. 20.0 seconds from power-on Approx. 11.0 seconds from power save
First Print Out Time	Color: Approx. 6.5 seconds Mono: Approx. 6.5 seconds
Print Speed	A4 35 ppm color, 35 ppm mono
Interface	1000BASE-T/100BASE-TX/10BASE-T, USB 2.0 (High Speed), USB 2.0 (High Speed) Host, (Optional) Wireless LAN (IEEE802.11 a/b/g/n)
Protocol	TCP/IP
Printer Language	PCL 6 (XL) emulation, PCL 5c emulation, PostScript 3 emulation, PDF v2.0 emulation, IBM ProPrinter emulation, Epson FX Emulation
Supported OS (Click here for latest OS)	Windows 10, Windows 10 x64, Windows 8.1, Windows 8.1 x64, Windows 8, Windows 8 x64, Windows 7, Windows 7 x64, Windows Server 2019, Windows Server 2016, Windows Server 2012 R2, Windows Server 2012, Windows Server 2008 R2, Windows Server 2008, Windows Server 2008 x64, macOS 10.15, macOS 10.14, macOS 10.13, macOS 10.12, OS X 10.11, iOS, Chrome OS, Android
Memory (Std./Max.)	1GB/1GB
Font	PCL emulation 87 scalable fonts, 4 bitmap fonts, PostScript emulation 80 fonts
Paper Size	A4, A5, A6, B5, B6, B6 Half, B7, B8, Letter, Legal 13, Legal 13.5, Legal 14, Executive, Statement, 8.5" SQ, Folio, 16K, Index Card (3" x 5") (75 x 125mm), Photo Size (4" x 6", 5" x 7") (100 x 150mm, 125 x 175mm), Envelopes, Postcard, Return postcard, Custom Size: Width 55-216 mm x Length 91-1321 mm
Paper Weight	Tray 1 : 60 - 256 gsm Multi-purpose tray : 60 - 256 gsm (Optional)Additional Tray : 64 - 176 gsm
Input Capacity	Tray 1 : 250 sheets Multi-purpose tray : 100 sheets (Optional)Additional Tray : 530 sheets
Output Capacity	Face Down : Max. 150 sheets Face Up : Max. 100 sheets
Dimensions(WxDxH)	395 x 430 x 290 mm
Weight(includes supplies)	Approx. 28.2 kg
Weight(not includes supplies)	Approx. 24.6 kg

Operating Environment	Operating: 10 - 32 °C, 20 - 80 %RH No condensation
Power Source	Single phase 220 - 240 VAC ±10%, 50/60 Hz ±2%
Power Consumption	Operating: Max. 1,150W / Ave. 840W Idle: 20W Power Save: 14.0W Deep Sleep: 1.1W Auto-Off: 0.15W
Safety & Environment Regulation	EMC-Directive, CE Mark, GS Mark, RoHS
Noise Level	Operating :Approx. 54 dBA Idle: < 32 dBA Quiet Mode: < 51 dBA Power save: Background level
Duty Cycle	Recommended: 8,000 pages/month Maximum: 100,000 pages/month
In the Box	Manuals, Starter toner cartridge x 4, Image Drum x 4, Power cable, DVD-ROM
Space required	
Space required	
Side view	



Top view



Option

