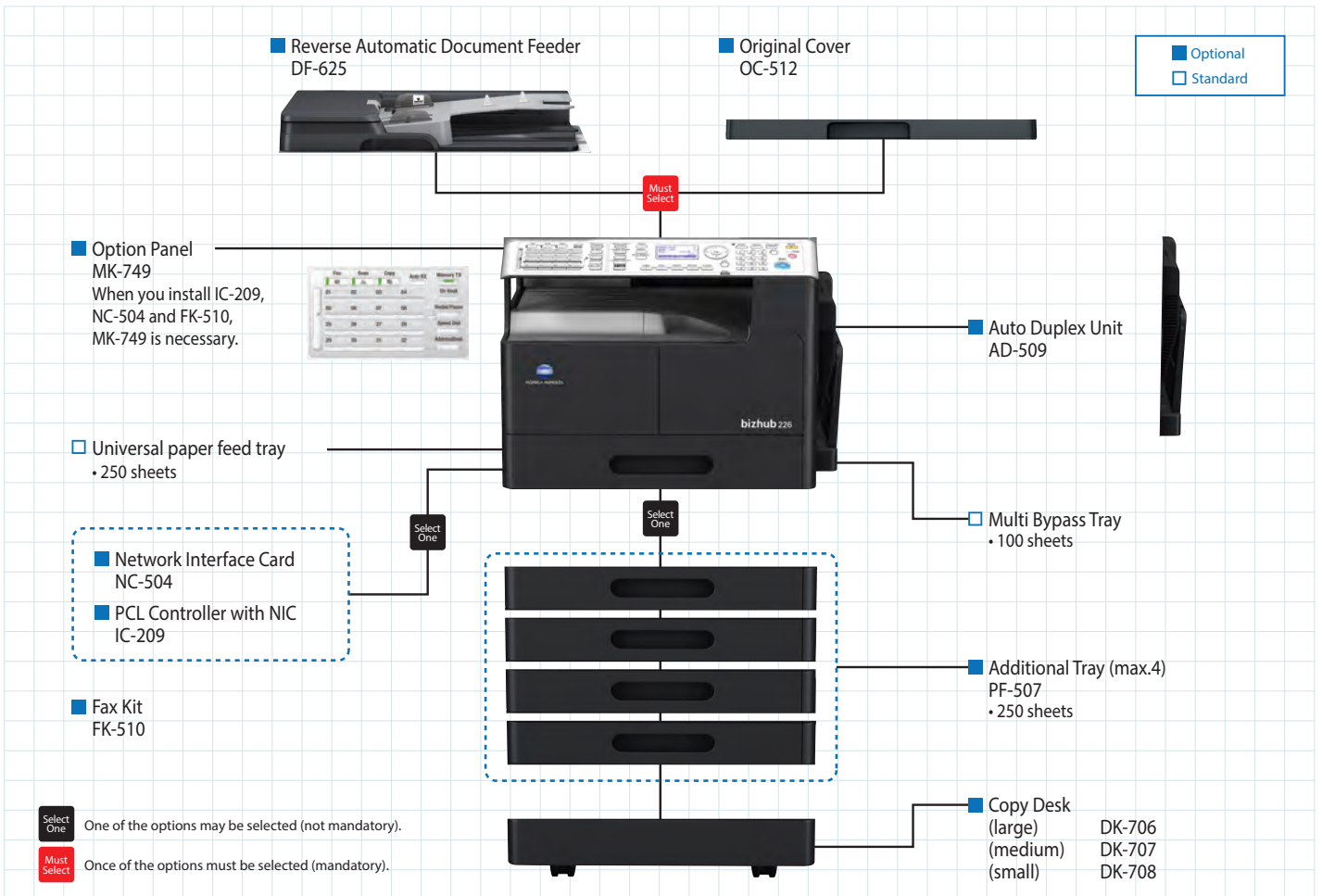




KONICA MINOLTA

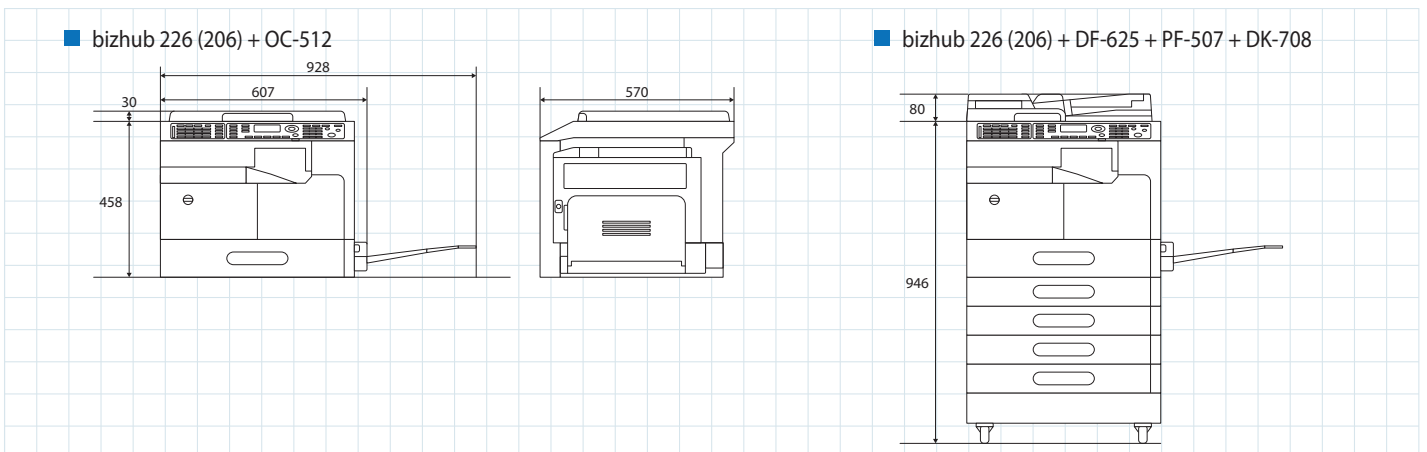
# bizhub 226/206 Spec Sheet

## System



## Space Requirements

Dimensions (unit: mm)



# Specifications

## bizhub 226/206 General Specifications

Type	Desktop Printer / Copier / Scanner	
Copy resolution	Scan	Main: 600 dpi × Sub: 600 dpi
	Print	Main: 600 dpi × Sub: 600 dpi
Gradation	256	
Memory size	128 MB (standard)	
Original type	Sheet, book, three-dimensional objects (max. 2 kg)	
Max. original size	A3 or 11" × 17"	
Output size	Main unit (Universal paper feed tray): Width: 90 mm to 297 mm (A3), Length: 139.5 mm (5.5") to 431.8 mm (17") Multi Bypass Tray (MB-505): Width: 90 mm to 297 mm (A3), Length: 139.5 mm (5.5") to 431.8 mm (17") Additional Tray (PF-507): Width: 182 mm (B5) to 297 mm (A3), Length: 182 mm (B5) to 431.8 mm (17")	
Image loss	4 mm at each edge (top/bottom/right/left edge)	
Warm-Up Time *1 (23°C, std. voltage)	15 sec. or less	
First Copy Out Time *2	6.5 sec. or less	
Copy speed (A4/ Letter crosswise)	Simplex	bizhub 226: 22 ppm, bizhub 206: 20 ppm
	Duplex	bizhub 226: 15.8 ppm, bizhub 206: 15.2 ppm
Copy magnification	Fixed ratio	Metric 0.25/0.50/0.70/0.81/1.00/1.15/1.41/2.00/4.00
		Inch 0.25/0.50/0.64/0.78/1.00/1.21/1.29/2.00/4.00
	Zoom ratio set by Up/Down key	25% to 400% Adjustable in 0.01 steps
Paper capacity (64 g/m <sup>2</sup> )	Main unit (Universal paper feed tray): 250 sheets (up to A3) Multi Bypass Tray: 100 sheets (up to A3) Additional Tray (PF-507): 250 sheets (up to A3)	
Max. paper capacity (64 g/m <sup>2</sup> )	1,350 sheets	
Paper weight	Main unit/ Multi Bypass Tray	64 g/m <sup>2</sup> - 157 g/m <sup>2</sup>
	Additional Tray (PF-507)	64 g/m <sup>2</sup> - 90 g/m <sup>2</sup>
Multi copy setting	1-999 pages	
Max. power consumption	1,300 W (127 V only: 1,350 W)	
Dimensions [W] × [D] × [H]	607 × 570 × 458 mm	
Weight	Approx. 28.2 kg (excluding TC/Developer)	
Space requirements [W] × [D]	Standard configuration: 570 × 570 mm	
	With bypass tray extended: 928 × 570 mm Max. required space incl. maintenance space: 999 × 971 mm* * When Multi Bypass Tray extended When Paper Feed Tray pulled out. (Slide length: 397 mm)	
Application software	PageScope Net Care Device Manager & Plug-in LSU (Local Setting Utility)	

\*1 The time required to start printing when then main power switch is turned from OFF to ON.

\*2 A4 long edge feed full size/using the first tray/scanning from the original glass surface.

## Printer Functions (Standard: GDI Image Controller)

Type	Embedded	
Print Speed	A4	bizhub 226: 22 ppm, bizhub 206: 20 ppm
	Letter	bizhub 226: 21 ppm, bizhub 206: 19 ppm
Resolution	Main: 600 dpi × Sub: 600 dpi	
Supported OS	Server	Windows Server 2008*/2008 R2 (x64)/2012 (x64)/2012 R2 (x64) * Supports the 32-bit (x86) or 64-bit (x64) environment.
	Client	Windows Vista* / 7* / 8* / 8.1* * Support the 32-bit (x86) or 64-bit (x64) environment. Red Hat Enterprise Linux 5 (CUPS Ver1.2.4) ×86 Red Hat Enterprise Linux 5 (CUPS Ver1.2.4) AMD64/Intel64 SUSE Linux Enterprise Desktop 11(CUPS Ver1.1.23) ×86 SUSE Linux Enterprise Desktop 11(CUPS Ver1.1.23) AMD64/ Intel64
Interface	Standard: USB2.0 Ethernet 10Base-T/100Base-TX (Option card: NC-504)	
Protocols	TCP/IP (with Network Interface Card NC-504)	

## Printer Functions (Optional: PCL Controller with NIC)

\*Option Panel MK-749 is required.

Type	PCL controller incl. network interface card	
Print Speed	A4	bizhub 226: 22 ppm, bizhub 206: 20 ppm
	Letter	bizhub 226: 21 ppm, bizhub 206: 19 ppm
Resolution	Main: 1,200 dpi (equivalent) or 600 dpi × Sub: 600 dpi	
Page description language	PCL6/5e	
Supported OS	Server	Windows Server 2008*/2008 R2 (x64)/2012 (x64)/2012 R2 (x64) * Supports the 32-bit (x86) or 64-bit (x64) environment.
	Client	Windows Vista* / 7* / 8* / 8.1* * Support the 32-bit (x86) or 64-bit (x64) environment. Red Hat Enterprise Linux 5 (CUPS Ver1.2.4) ×86 Red Hat Enterprise Linux 5 (CUPS Ver1.2.4) AMD64/Intel64 SUSE Linux Enterprise Desktop 11(CUPS Ver1.1.23) ×86 SUSE Linux Enterprise Desktop 11(CUPS Ver1.1.23) AMD64/ Intel64
Interface	Standard: USB2.0 Ethernet 10Base-T/100Base-TX	
Protocols	TCP/IP	

## Scanner Functions

Type	Full-Colour scanner	
Scanning size	Standard: Max. A3 or 11" × 17" DF-625 (Optional ADF): Max. A3 or 11" × 17"	
Interface	Ethernet 10Base-T/100Base-TX (Option card: IC-209 or NC-504) USB2.0 (Standard) USB2.0 Host	
Driver	TWAIN driver	
Scanning speed (A4, Simplex) *1	TWAIN	B/W: 26 opm, Grayscale: 23 opm, Colour: 16 opm (150 dpi) B/W: 25 opm, Grayscale: 21 opm, Colour: 7 opm (300 dpi) B/W: 15 opm (600 dpi)
	Network scan *2	B/W: 46 opm, Grayscale: 38 opm, Colour: 20 opm (150 dpi) B/W: 46 opm, Grayscale: 16 opm, Colour: 8 opm (300 dpi) B/W: 23 opm (600 dpi)
Scanning size	Max. A3 or 11" × 17"	
Main function	TWAIN	Real time mode (pull)
	Network scan *2	Scan to FTP, Scan to PC (SMB), Scan to E-Mail, Network TWAIN
Data format	TIFF, PDF, JPEG	

\*1 When using the Reverse Automatic Document Feeder DF-625.

\*2 Option Card IC-209 or NC-504 and Option Panel MK-749 are required.

## Fax Functions (Optional)

\*Option Panel MK-749 is required.

Fax Kit	FK-510
Communication	G3
Modem speed	2.4 kbps - 33.6 kbps
Compression	MH, MR, MMR, JBIG
Transmission speed	Approx. 3 sec. (A4, V.34, 33.6 kbps, JBIG)
Sending paper size	Scanner: Max. A3 Optional DF-625: Max. (W × L) 297 × 1,000 mm
Recording paper size	Max. A3 (Max. 1,000 mm, printed according page partition setting)
Line density	8 dot/mm × 3.85 line/mm, 8 dot/mm × 7.7 line/mm 8 dot/mm × 15.4 line/mm, 16 dot/mm × 15.4 line/mm
Number of Abbreviated Dial	250
Number of One Touch Dial	32
Number of Program dials	4
Sequential multiple station transmission	Max. 255
Driver	PC-FAX driver

## Reverse Automatic Document Feeder (Optional)

Applied models	DF-625
Type	Circulatory duplex system
Support paper size	Max. A3 or 11" × 17" (Fax mode: Max. 1,000 mm)
Mixed size	Support
Support paper weight	35 to 128 g/m <sup>2</sup> (Simplex), 50 to 128 g/m <sup>2</sup> (Duplex, Mixed Original)
Paper capacity	Max. 70 sheets (80 g/m <sup>2</sup> )
Productivity (A4 portrait, Simplex) *At copy	bizhub 226: 22 ppm, bizhub 206: 20 ppm
Power requirements	Supplied from the MFP main body
Dimensions [W] × [D] × [H]	546 × 486 × 80 mm
Weight	5.3 kg

